

AL338F / AL338U PROXIMITY CARD ACCESS CONTROLLER

INTRODUCTION

This is a low cost proximity card access controller with dual output for external controlling. One output from the relay directly with NC and NO connection. The other is a power output for driving external devices. The AL338F and AL338U standalone access controller can accept a maximum of 338 proximity cards. A 9 to 12V DC supply is required to power the reader, which has a current consumption of less than 300mA.

OPERATION

There is a 6-position jumper block for configure the operation of the unit.

POSITION	DESCRIPTION	FUNCTION
6	TMR0	To select the relay on time with authorization granted.
5	TMR1	
4	TMR2	
3	RVSE	ON: to reverse the operation of the relay.
2	CLRA	ON: to clear all memories.
1	CLRM	ON: to clear the master card memory.

TMR2	TMR1	TMR0	FUNCTION
OFF	OFF	OFF	Relay on for 1 second on authorization granted.
OFF	OFF	ON	Relay on for 2 seconds on authorization granted.
OFF	ON	OFF	Relay on for 5 seconds on authorization granted.
OFF	ON	ON	Relay on for 10 seconds on authorization granted.
ON	OFF	OFF	Relay on for 20 seconds on authorization granted.
ON	OFF	ON	Relay on for 50 seconds on authorization granted.
ON	ON	OFF	Relay on for 100 seconds on authorization granted.
ON	ON	ON	Relay state is toggled on each authorization granted.

* ON : Jumper shorted, OFF : Jumper opened

Master Card Programming

Put either CLRA or CLRM to ON position and power up the unit. The unit is waiting for a master card to be read. Pick a proximity card and put on top (around 1 inch above) of the reader, the card is read and stored as the master card. Then remove the power and put both CLRA and CLRM to OFF position. On next power on, the unit will be in normal operation. * *The master card can only be used for programming.*

Grant/Remove Card Authorization

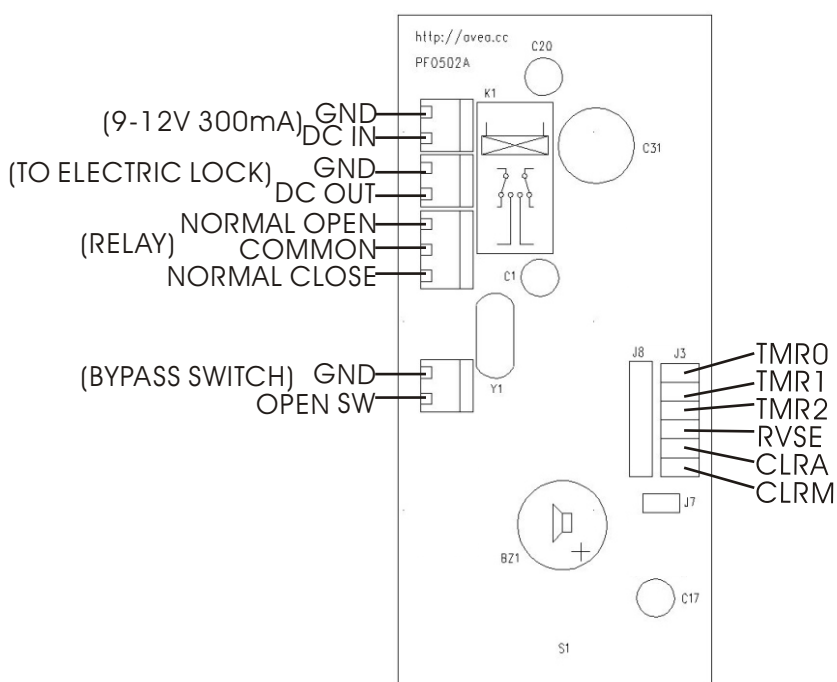
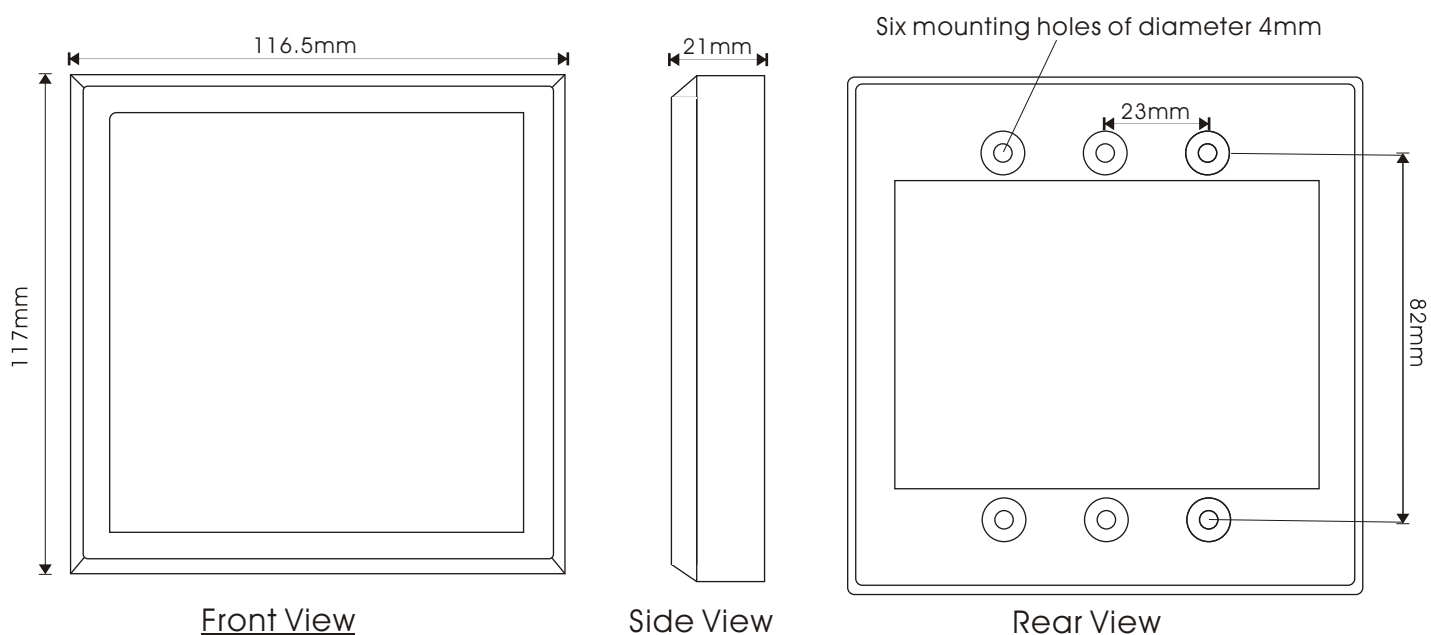
When the unit is in normal operation, put the master card on top of the reader, the unit will enter into programming mode with red LED stays lite. Then place a card on top of the reader, if the unit responds with a single beep sound means authorization is granted to that card. On the other hand, if the unit responds with a dual beep sound means authorization is removed from that card. If no more card need to be added or removed, the unit will return to normal operation after 10 seconds idle. If a long beep is responded, it means all memory locations are occupied.

Normal Operation

If an authorized granted card is placed over the reader, the green LED and the relay is turned on as set by TMR0, TMR1 and TMR2 with a beep sound. On the other hand, if an unauthorized card is placed over the reader, the green LED and the relay will have no action but with a long beep sound.

An input contacts is provided, if it is shorted, the unit will respond the same as an authorized card read.

AL338F Dimensions:



AL338F Terminal Layout

AL338U Dimensions:

