

TA01U / TA01U4
Dimensions: 87mm x 87mm x 31mm

TA01F / TA01F4
Dimensions: 117mm x 116.5mm x 21mm

INTRODUCTION

The TA series proximity readers are cost effective solutions for access control and time recording solutions. While connecting them to the computer and running the Time Attendance software (in Windows), the program will stamp the date, time and card ID into the computer database, show up the associated picture with the specific ID on the computer screen, capture the photo if a PC camera is connected to the computer and release the electric lock if allow access.

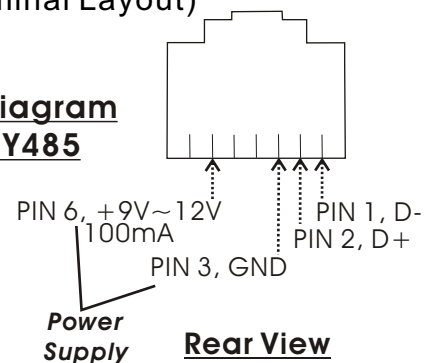
A 9 to 12V DC supply is required to power the reader, which has a current consumption of less than 300mA.

Quick Start:

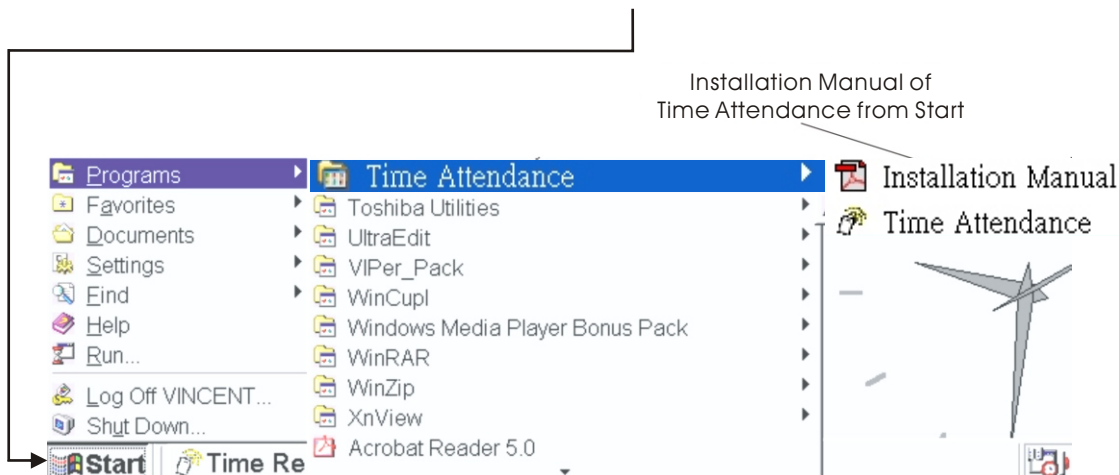
1. For RS232 series products - connect the RS232 cable (straight through) from the computer to the terminal block of RS232 port. (See Terminal Layout)

For RS485 series products - plug the TINY485 into the serial port of the computer. Then connect the converter to the reader according to the pinouts of the RJ45 connector.

Wiring Diagram for TINY485



2. Connect a 9 to 12VDC supply to the terminal block of 9 -12V 300mA.
3. Turn on the computer.
4. Insert the Time Attendance CD into your computer's CD-ROM drive. The Installer will start by itself automatically. If the Installer doesn't start automatically, you can run the setup.exe program to install the software.
5. The detailed installation manual for the Time Attendance will be automatically installed into your computer when you install the application software. Follow the installation instruction to finish the installation and follow the Installation Manual of Time Attendance from *Start* for details of Time Recorder's Setup.



Time Attendance Quick Start

4. Define the **workgroup** (Setup menu)

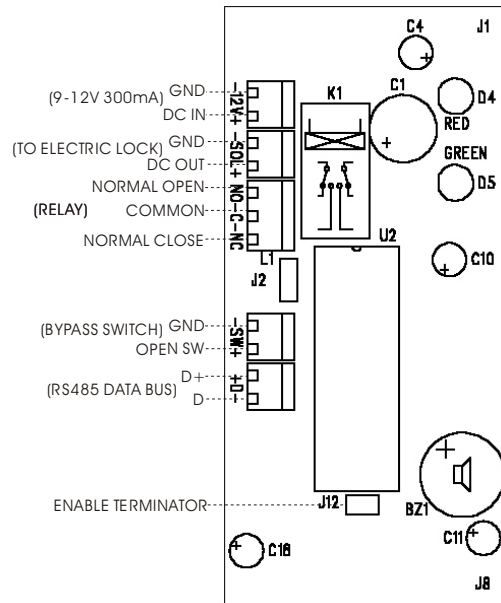
3. Setup the **RFID reader**
Present the ID cards to the reader, GREEN led will on if the com port set up correctly.

5. Insert the CD ROM to the computer to **ADD Cards and **Edit Card Information**** (Card Manager menu)

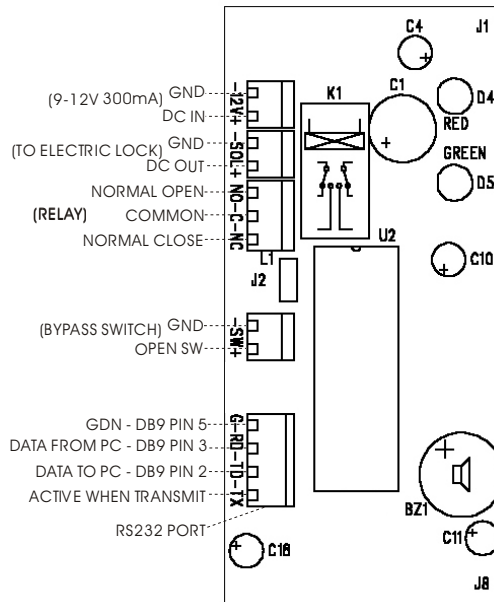
2. **Login the Time Attendance to start **SETUP**** (Actions menu)

1. Setup the **password for **LOGIN** first** (Actions menu)

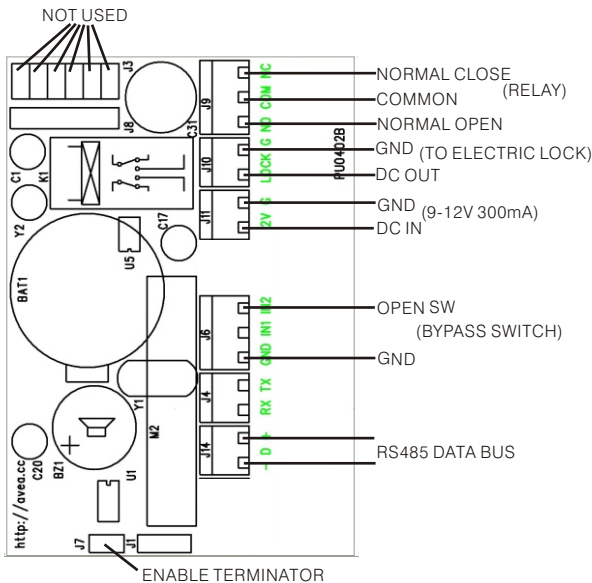
Terminal Layout



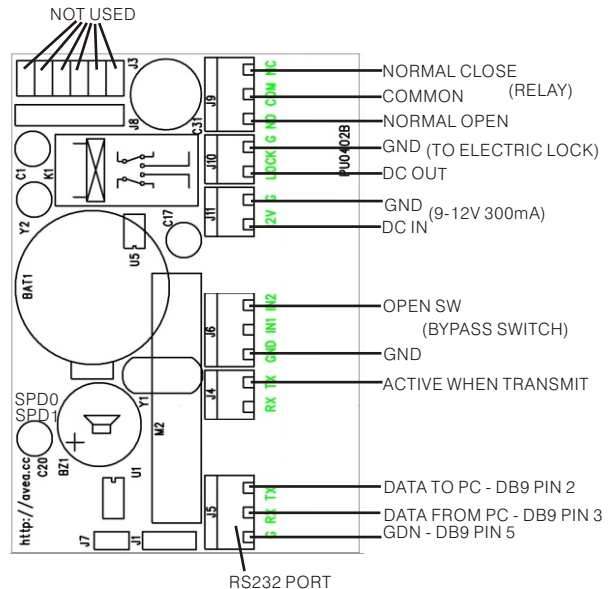
MODEL TA01F4 - RS485 reader



MODEL TA01F - RS232 reader



MODEL TA01U4 - RS485 reader



MODEL TA01U - RS232 reader