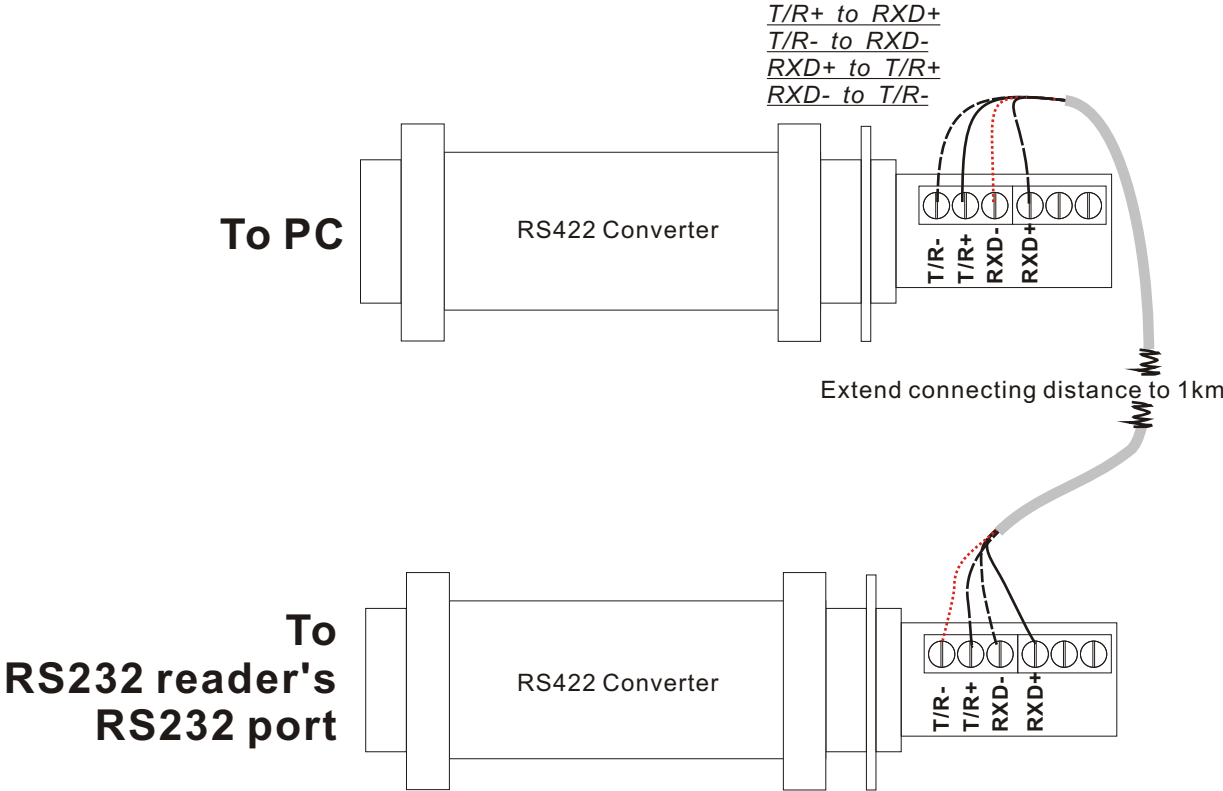


# RS422

## RS232 TO RS422 CONVERTER

- Low cost non-isolated RS232 to RS422 converter.
- Use in pairs, one connect to the PC's RS232 port and the other one connect to our RS232 RFID reader.
- Extends the communication range to 1KM with speed of 115K bit/s.
- Powered by RS232 signals or optional external +5V power supply.

### Wiring instruction



DB9 Female (PIN)	RS-232C Signal
2	SIN (RXD)
3	SOUT (TXD)
5	GND

DB9 Male (PIN)	Output Signal
1	T/R+
2	T/R-
3	RXD+
4	RXD-
5	GND
6	VCC